

**Product data sheet:
Electric height adjustable desk frame 501-19**

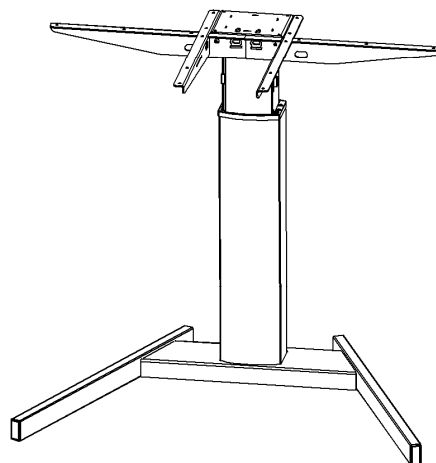
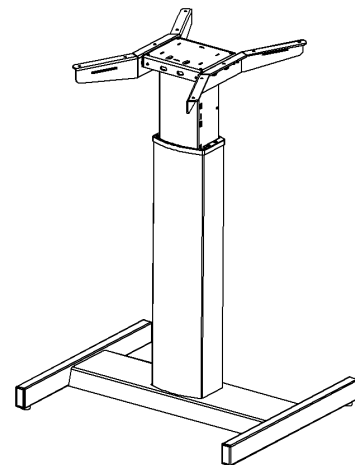
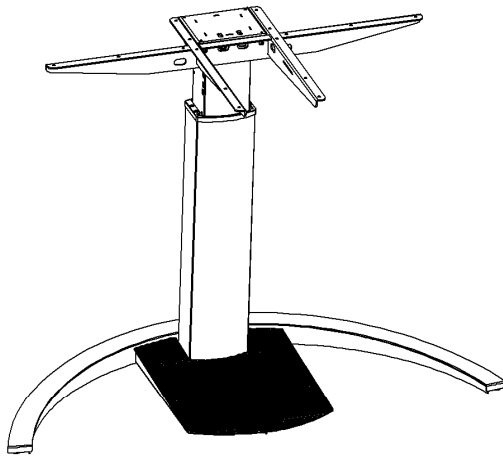
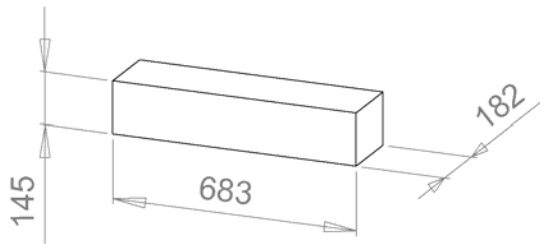


Table of contents

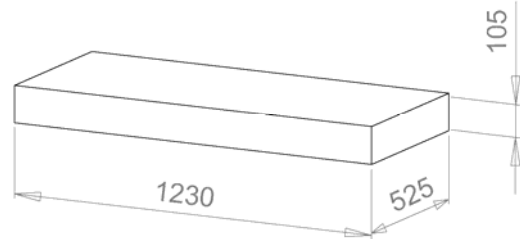
Packing details, XX120 leg	page 3
Main measures and specifications, XX120 leg	page 4
Packing details, XX095 leg	page 5
Main measures and specifications, XX095 leg	page 6
Packing details, XX060 leg	page 7
Main measures and specifications, XX060 leg	page 8
Tabletop drillings	page 9
Assembly and use	page 12
Safety and tests	page 13
Specification, components	page 14

Packing details, XX120 leg

Box Packing

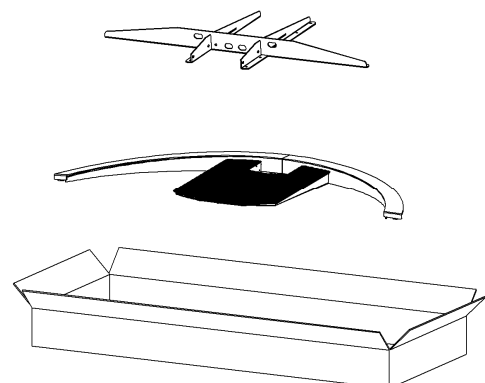
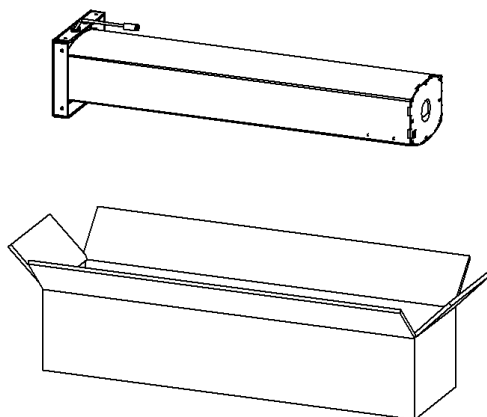


Weight 14 kg

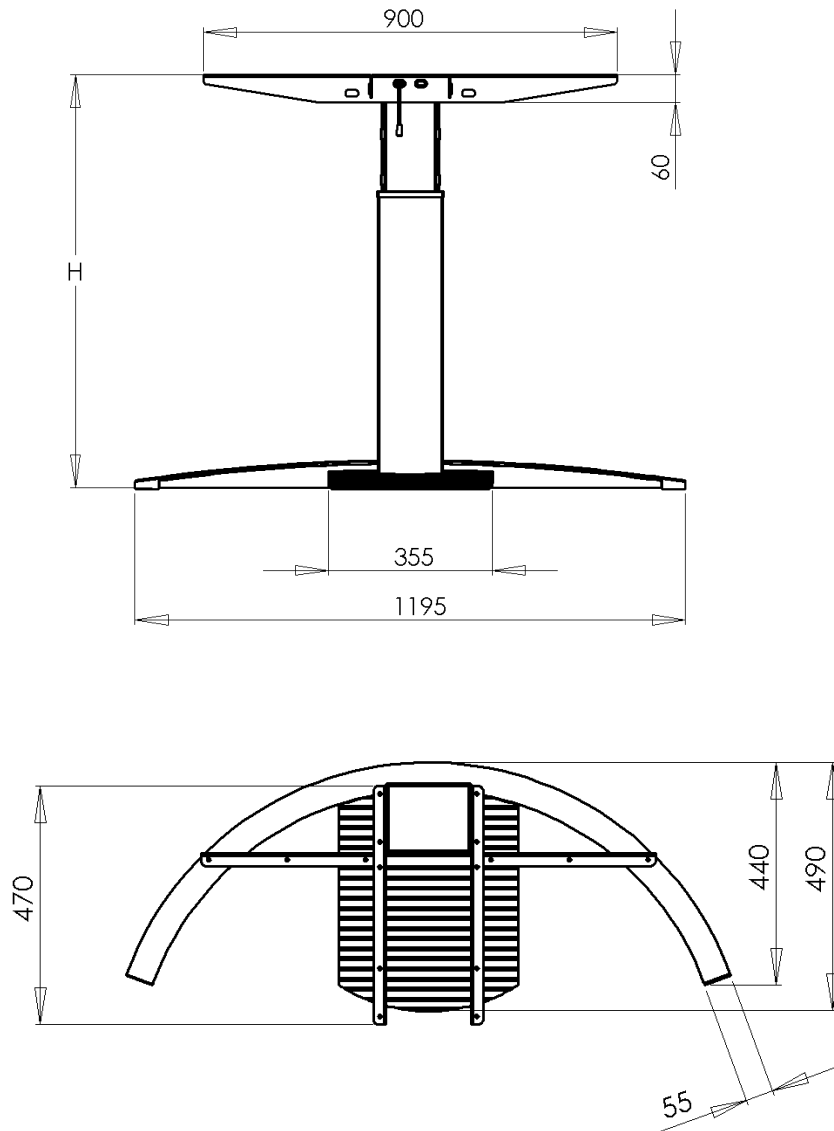


Weight 12 kg

Content of packing



Main measures and specifications, XX120 leg

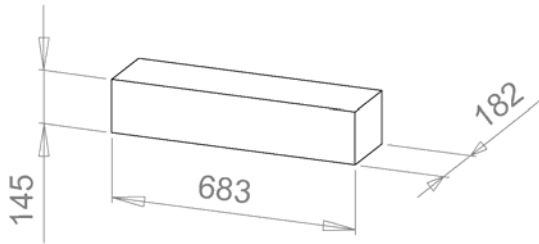


H (height), frame only	66 - 118cm
Lifting capacity, frame	100 kg
Speed	28 mm/sec

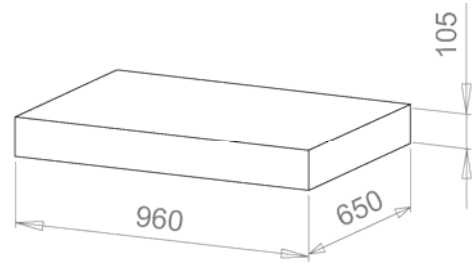
If further documentation needed, please find dwg documentation on the website.

Packing details, XX095 leg

Box Packing

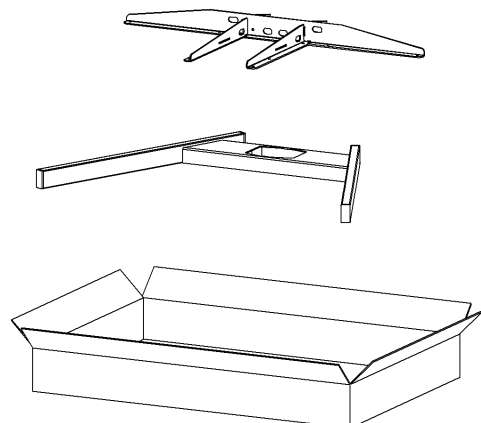
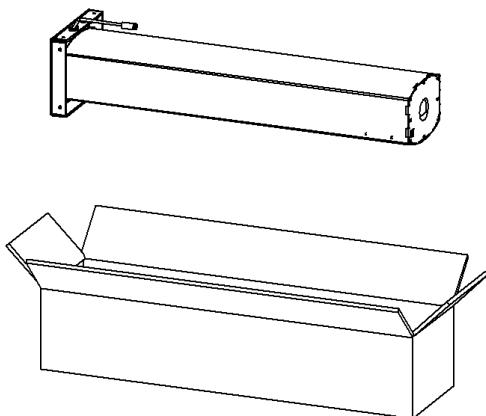


Weight 14 kg

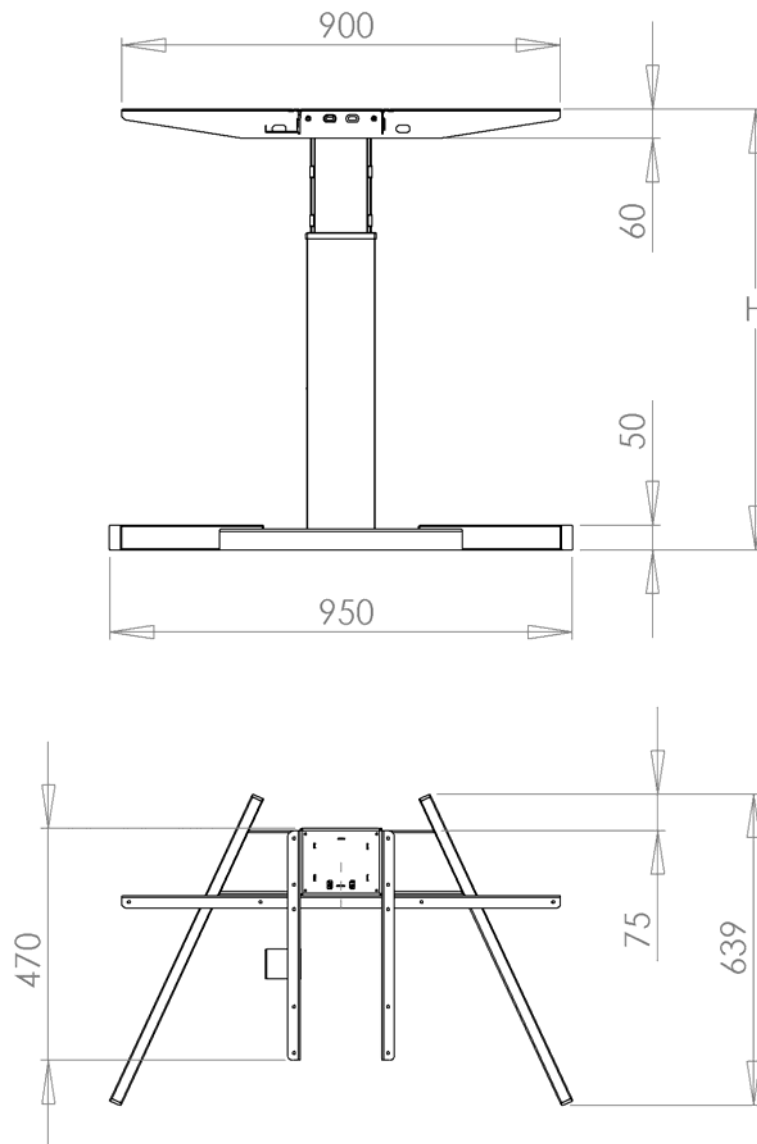


Weight 12 kg

Content of packing



Main measures and specifications, XX095 leg

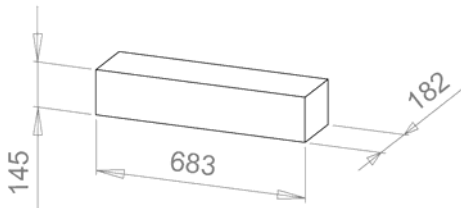


H (height), frame only	66 - 118cm
Lifting capacity, frame	100 kg
Speed	28 mm/sec

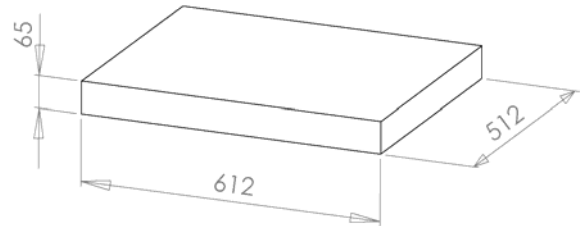
If further documentation needed, please find dwg documentation on the website.

Packing details, XX60 leg

Box Packing

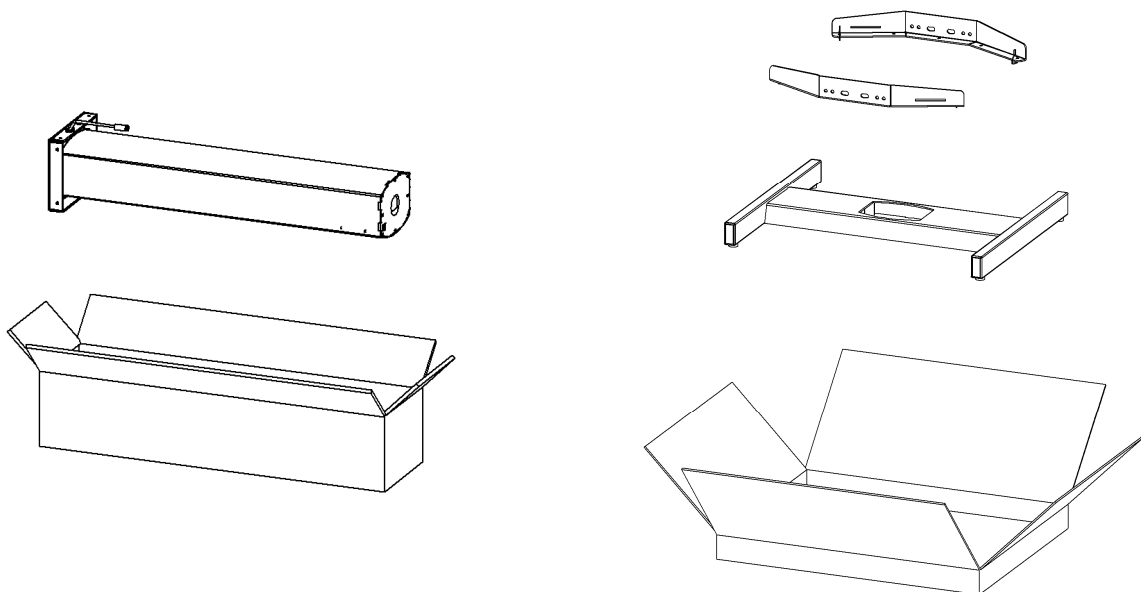


Weight 14 kg

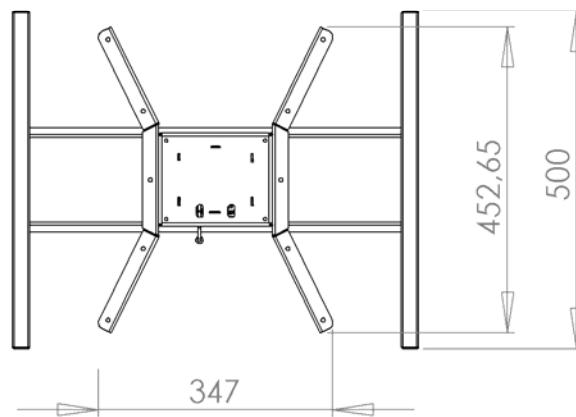
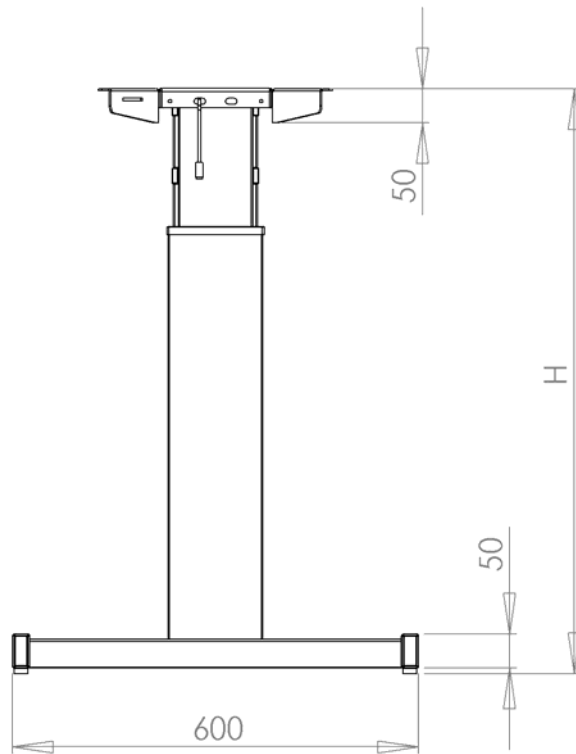


Weight 12 kg

Content of packing

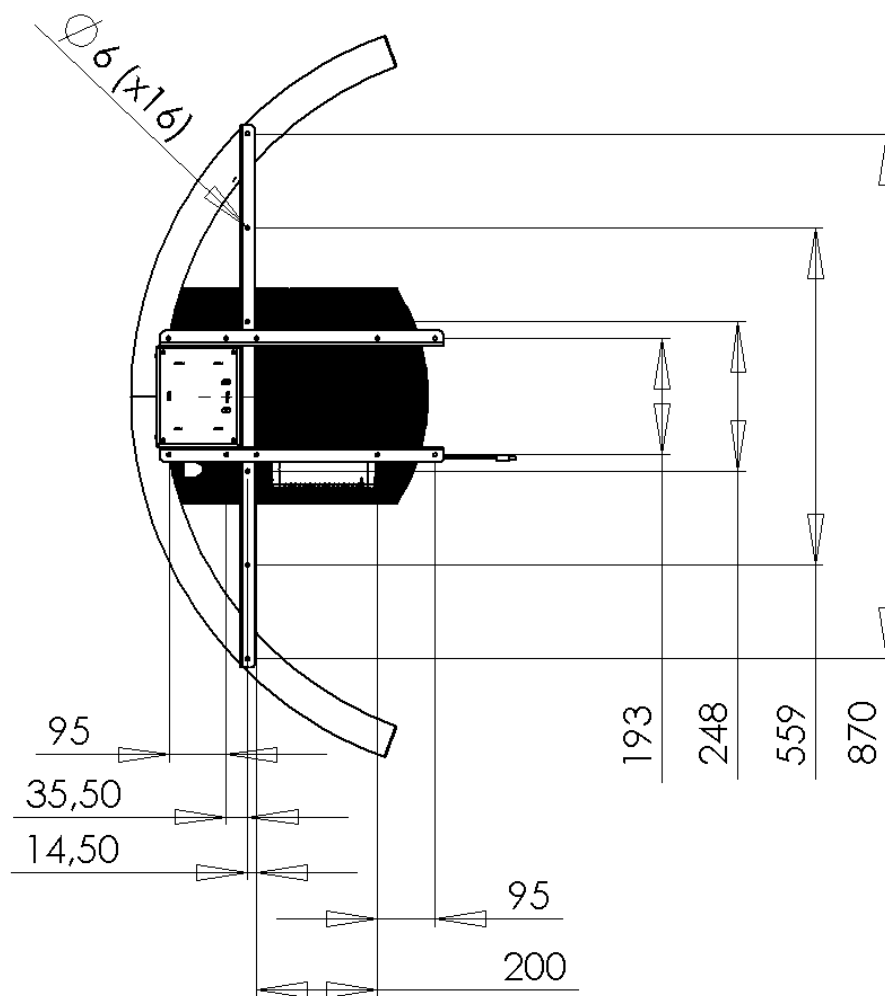


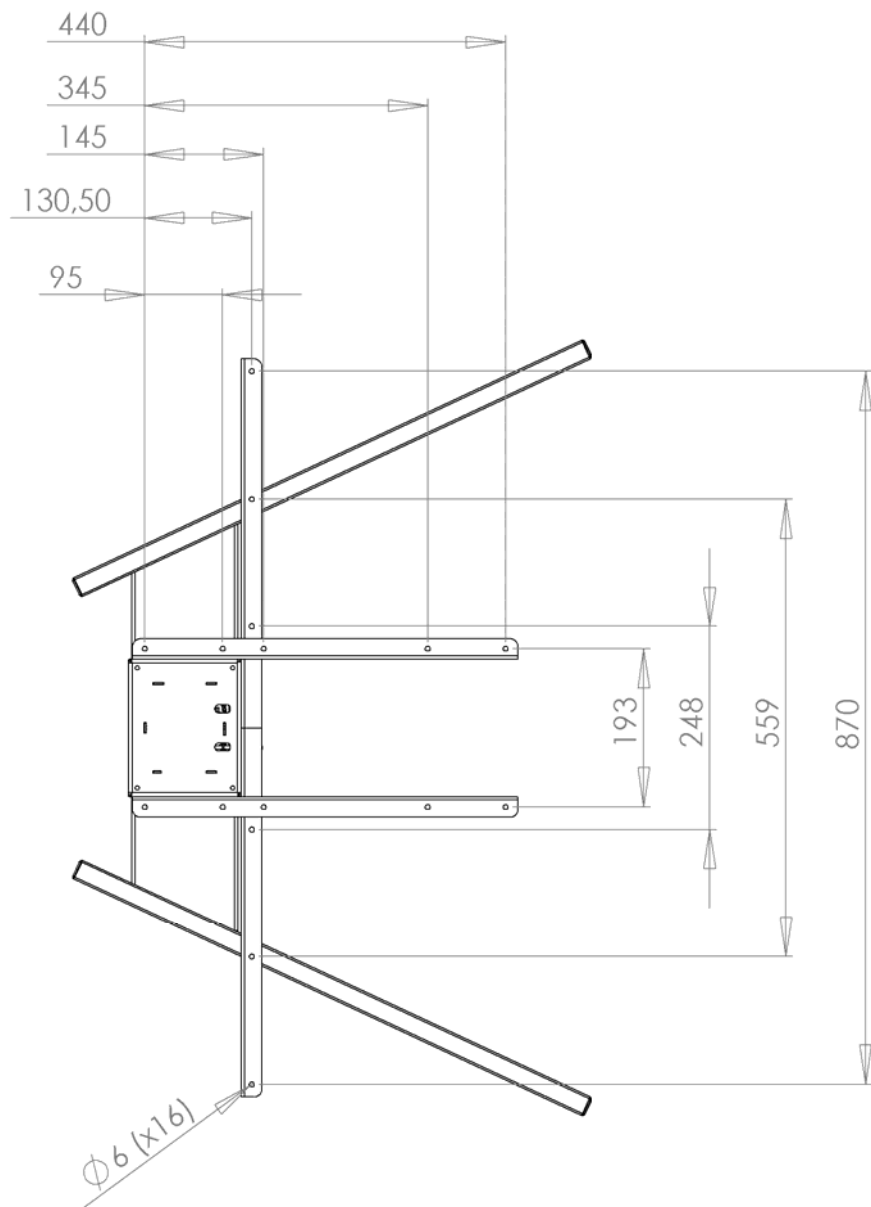
Main measures and specifications, XX060 leg

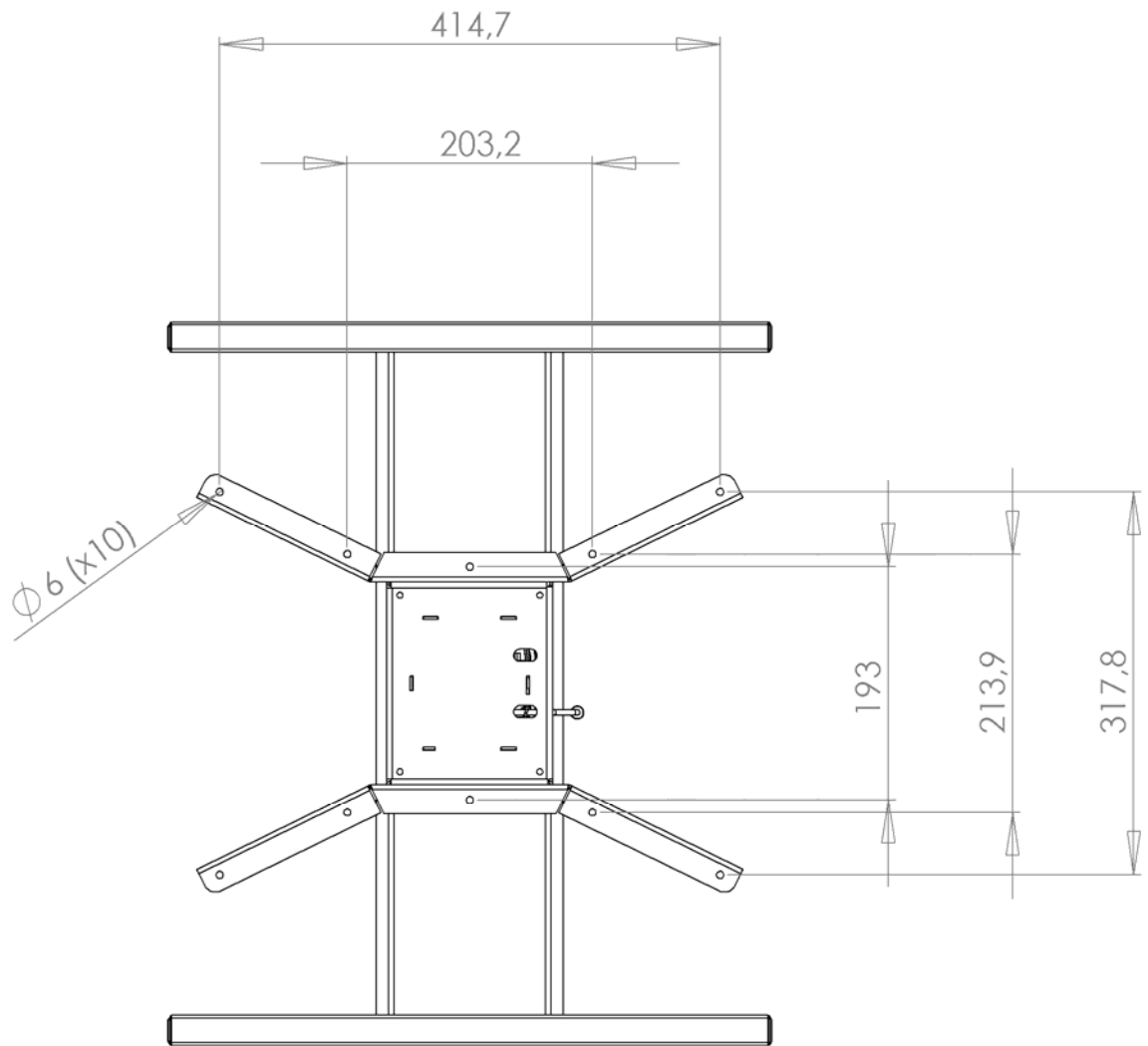


H (height), frame only	66 - 118cm
Lifting capacity, frame	100 kg
Speed	28 mm/sec

Tabletop drillings







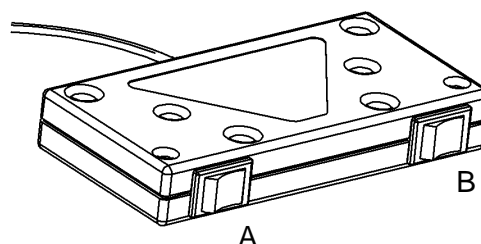
Assembly and use

Along with all products a “Direction for assembly and use” is delivered. In this you will find a detailed description of the way of assembly.



After the frame has been mounted the chosen tabletop is mounted and the operation unit will be possible to fix at the bottom side of the tabletop. This operation unit has two rocker switches.

With rocker switch A and B it is possible to move the tabletop up and down and can be stopped at all levels. For safety reasons it is necessary to push both buttons at the same time for moving the table up and down.



Safety and tests

All products have been tested up against the following norms:

ISO/DIS 8019

DS/ISO 7172

The norms mention above is possible to find at the website in the section "Norms and approvals".

DECLARATION OF CONFORMITY

We hereby declare, under our sole responsibility that the following products:

- ConSet sit and stand tables product type 501-19

which are covered by this statement, are in conformity with the following standards and other normative documents::

- Counsel Directive 98/37/EF
- Counsel Directive 89/336/EØF with later changes
- Counsel Directive 73/23/EØF with later changes

With reference to the Machinery Directive (98/37/EF) please be aware:

- the sit and stand table is considered a machine and
- the sit and stand table may not be used until it has been assembled and installed according to the instructions."

Component specifications

Metal sheet parts: St 37-2

Gear parts: St 70-2

Gear motor: Bosch no. 0 390 257 685

Power supply: 100 W AC Power Transformer

Consumption: 100 Watts; Standby: Max 0,9 Watts

Plastic components: PA6, POM

Surface treatment Visible metal parts powder coated in "alu" colour, RAL9006
and black, RAL 9004

Non visible metal parts are surface treated (e.g. plated)