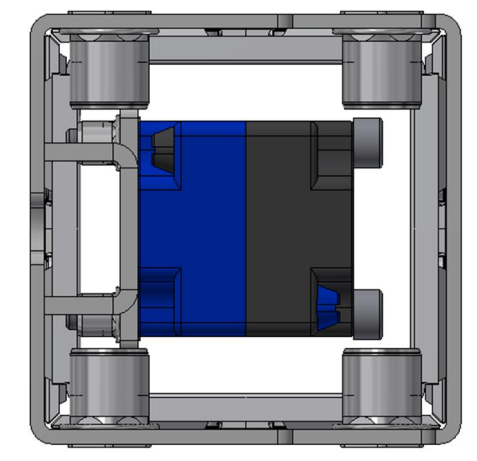
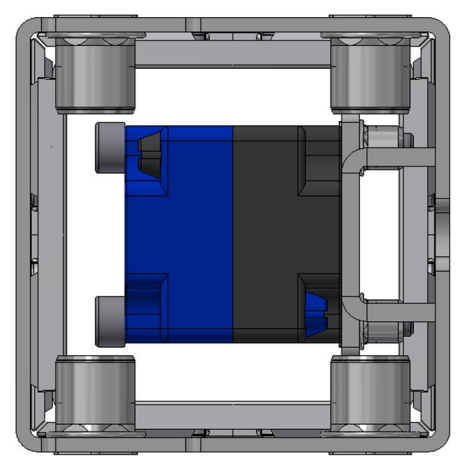


# Height-adjustable Table

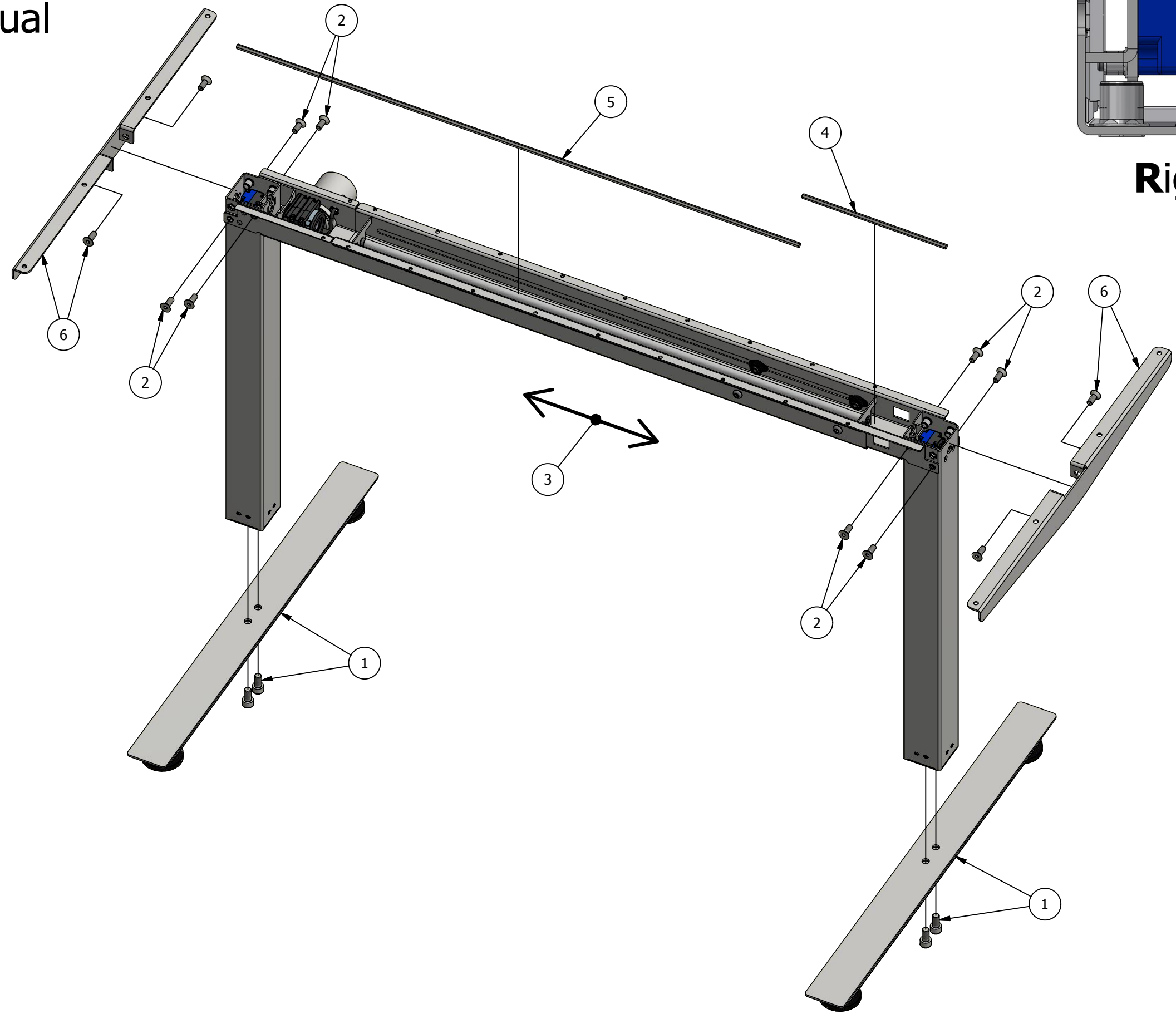
Assembly manual



Right side



Left side



# Height-adjustable Table

Assembly manual

